

XKQT

Quad to Serial Small Form Factor Pluggable Adapter



Description

The Quad to Single Small Form Factor Pluggable Adapter (QSFP+ to SFP+ adapter or QSA) is the solution for the QSFP+ to SFP+ conversion, enabling 10GbE Connectivity on 40GbE infrastructure.

The QSA enables smooth, cost effective connections between quad lane port such as

QSFP+ ports and 10 Gigabit Ethernet hardware using SFP+ based cabling.

The adapter is built in QSFP+ form factor with a receptacle for SFP+ cable connector.

The QSA provides an integration solution for systems using different vendors equipment, the QSA is vendor agnostic and provides a direct path to the SFP module memory. The QSA interoperates with all major optical module and direct attached copper cables vendors. The QSA design assures minimum loss on the conversion path from the QSFP+ cage to the SFP+ receptacle.

Features

- Trouble free installation and network bring-up
- Compliant to industry standards
 QSFP+ MSA SFF-8436
 SFP+ MSA SFF-8431
- Superior signal integrity
- Low crosstalk
- Low insertion loss
- Matched impedance
- Secure latching mechanism
- 1-year warranty
- RoHS-6 compliant

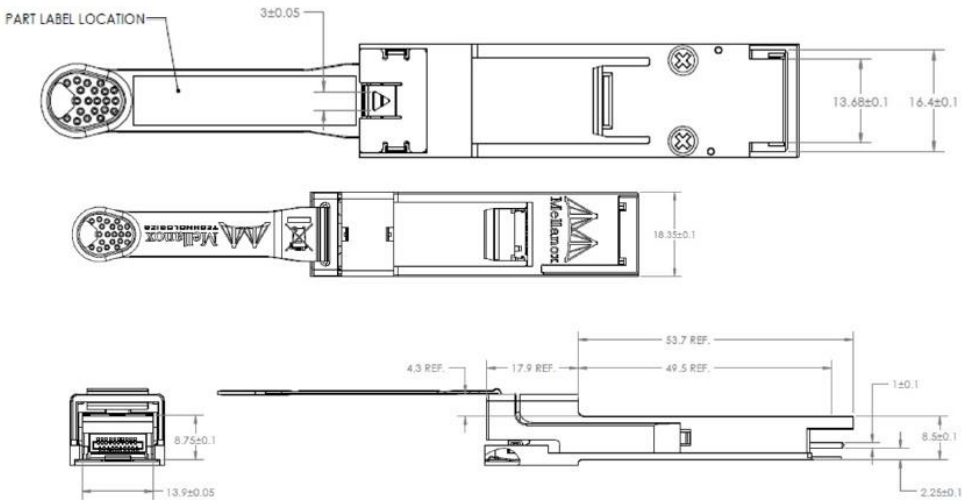


Figure 1. Mechanical Drawing

Ordering information¹

PN	Description
XKQT	Cable module, ETH 10GbE, 40 Gbps to 10 Gbps, QSFP+ to SFP+

Notes:

¹ Specification may change without notice. For accurate specification please contact XenOpt reseller before placing an order. The content of this document is subject to change without notice. Please specify any compatibility requirements at time of ordering. Standard MSA compatible pluggable components may not work or some function of these components may not be available in devices that require customized compatible devices. Pluggable components compatible with one type of communications equipment may not work in other type of communications equipment.

Important Notice

Performance figures, data and any illustrative material provided in this data sheet are typical and must be specifically confirmed in writing by XenOpt before they become applicable to any particular order or contract.

The publication of information in this data sheet does not imply freedom from patent or other protective rights of XenOpt or others. Further details are available from any XenOpt sales representative.

To find out more, please contact