



XSUVxC-M4RN

SDSL SFP Modem



Features

- Industry Standard Small Form-Factor Pluggable (MSA compliant)
- Provide 100/100 Mbps up to 500 m over CAT 5e
- Configurable SNR profile for noisy environment
- Industrial rated for -20°C to 75°C operation

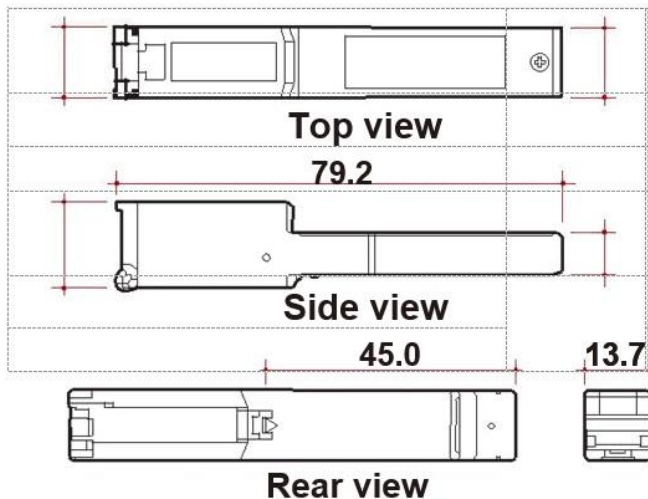
Description:

XSUVxC-M4RN is an integrated SFP bridge modem, a MSA compliant Small-Form Factor Pluggable module that enables traditional Ethernet switch, media converter and other network appliances to connect beyond typical Ethernet coverage (100 meters). Incorporated with the latest SDSL technology, this SFP modem can be easily adapted to existing applications with existing 2-wire cable, such as phone line, to avoid the cost of rewiring. It can drastically extend the Ethernet service on UTP wire with distance up to 3000 meters, and even with the rate of 100Mbps speed up to 400 meters on a standard Cat 5e 2 wire cable.

The SFP modem is also designed with flexible profiles settings for system integrator, or user, to select based on their unique applications and environment requirements. Symmetric profile can be applied as a standard Ethernet connection while Asymmetric profile can be used for other services like Video streaming or IP surveillance services which require high traffic flow in an uni-direction configuration. The SFP modem also supports Telco grade noise cancellation techniques like Interleave, high SNR profile, and retransmission that can effectively eliminate the noise impact to ensure your service/control messages can

securely deliver in a harsh environment.

With long reach coverage, high noise immunity, and compact board size, XSUVxC-M4RN SFP modem is an ideal upgrade for your Enterprise or Industry applications.



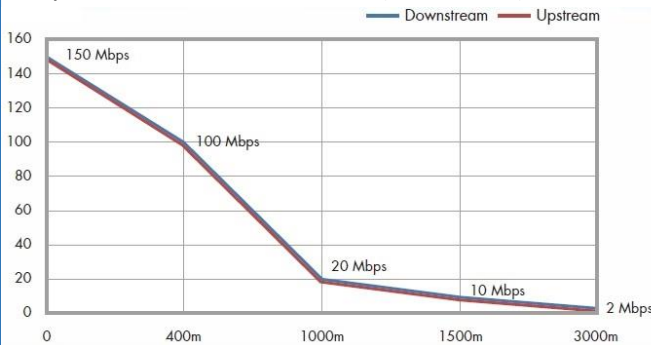
Mechanical Dimensions

(units in mm)

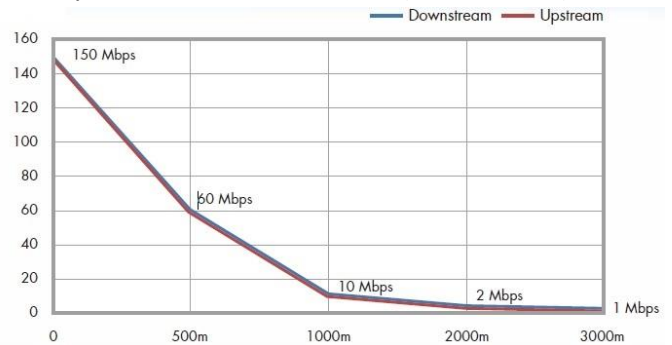
To find out more, please contact:

Performance

Symmetric Profile Data Rate (over CA 5e)



Symmetric Profile Data Rate (over 26AWG)



Specifications

| | | |
|--------------------------|---------------------------------------|--|
| Hardware | RJ-45 (LRE Port) | |
| | SERDES connect to host | |
| | LED 1 (CO/CPE indicator) | |
| | LED 2 (PWR/ Link Status indicator) | |
| Software | Self Boot & Managed by Internal Flash | |
| | Linux driver for managed devices | |
| Power Requirement | 3.3v , 700mA | |
| Environment | Operating Temperature | -20°C ~ +75°C |
| | Storage Temperature | -40°C ~ +85°C |
| | Operating Humidity | 5% to 90% |
| | | (non-condensed) |
| | Storage Humidity | 5% to 95% |
| | | (non-condensed) |
| | ESD Standards | Contact: +/-4KV Air: +/-8KV (EN 61000-4-2) |
| Radiated RFI Standards | Strength:10V/m (EN 61000-4-3) | |
| EFT/BURST Standards | Power: 2KV Signal:1KV (EN 61000-4-4) | |
| Surge Immunity Standards | Power: 2KV Signal:1KV (EN 61000-4-5) | |
| Certification | CE / FCC | |

Ordering information¹

| PN | Description |
|-------------|--|
| XSUVMC-M4RN | SDSL Modem, SFP Compliant, CO side, 300 Mbps (aggregate rate) |
| XSUVSC-M4RN | SDSL Modem, SFP Compliant, CPE side, 300 Mbps (aggregate rate) |

Notes:

¹ For accurate order specification please contact Xenopt reseller before placing an order. The content of this document is subject to change without notice. Xenopt does not guarantee errorless or outdated information.

Please specify any compatibility requirements at time of ordering. Standard MSA compatible pluggable components may not work or some function of these components may not be available in devices that require customized compatible devices.

Important Notice

Performance figures, data and any illustrative material provided in this data sheet are typical and must be specifically confirmed in writing by XenOpt before they become applicable to any particular order or contract. In accordance with the XenOpt policy of continuous improvement specifications may change without notice. The publication of information in this data sheet does not imply freedom from patent or other protective rights of XenOpt or others. Further details are available from any XenOpt sales representative.