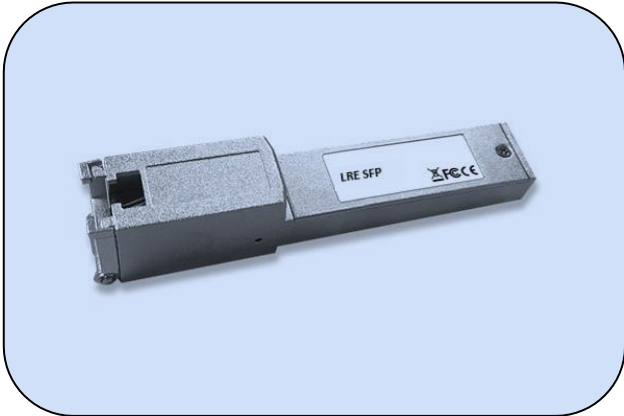




XSUVxC-M5RE

Long Reach Ethernet over VDSL2 SFP

XSUVxC-M5RE LRE over VDSL2 SFP



Features

- Industry Standard Small Form-Factor Pluggable (MSA compliant)
- Provide 100/100 Mbps up to 500 m over CAT 5e
- Configurable SNR profile for noisy environment
- Industrial rated for -20 °C to 85 °C operation

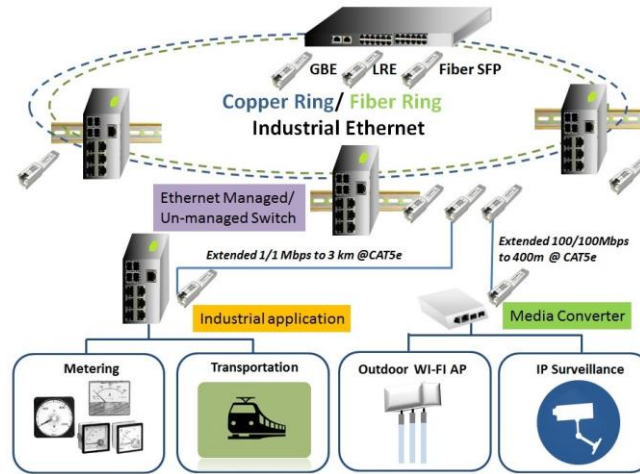
Product Overview

The XenOpt XSUVxC-M5RE LREoVD2 SFP is an MSA compliant Small-Form Factor Pluggable module that enables traditional Ethernet switch, media converter and other network appliance to connect beyond typical Ethernet coverage (100 meters). Leveraging VDSL2 technology, this SFP module can easily be applied in any environment with existing 2-wire cable, such as phone line, to avoid the cost of rewiring. It can dramatically extend Ethernet service on UTP wire with distance up to 3000 meters. Furthermore, Full Duplex 100Mbps speed can even reach up to 500 meters with standard Cat 5e 2 wire cable.

The LREoVD2 SFP is also designed with flexible profiles settings for system integrator, or user, to select based on their different applications and environment requirements. Symmetric profile can be applied as a standard Ethernet connection while Asymmetric profile can be used for other services like Video streaming or IP surveillance services which require high traffic flow in a single direction. Furthermore, the LREoVD2 SFP is supporting Telco grade noise cancellation techniques like Interleave, high SNR profile, and retransmission that can greatly eliminate the noise impact to ensure your service/control messages can still securely deliver in a harsh environment. In addition, the XSUVxC-M5RE LREoVD2 SFP is an industrial grade component which ensures that it could work properly in the industrial market.

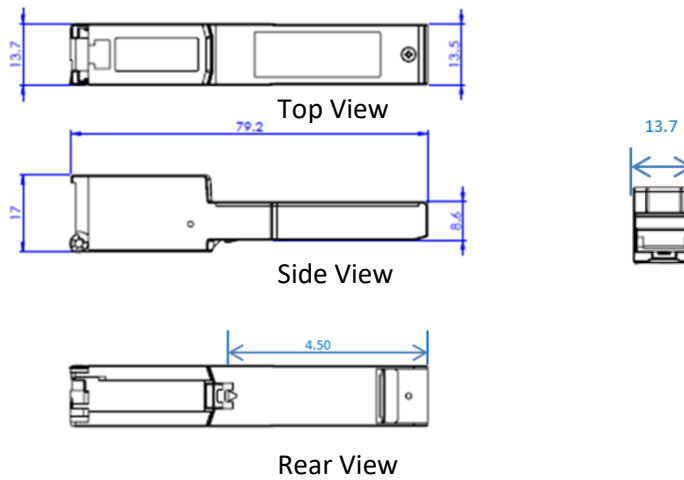
With long reach coverage, high noise immunity, and tiny board size, XenOpt XSUVxC-M5RE LREoVD2 SFP is an ideal accessory for your enterprise and industry applications.

Applications



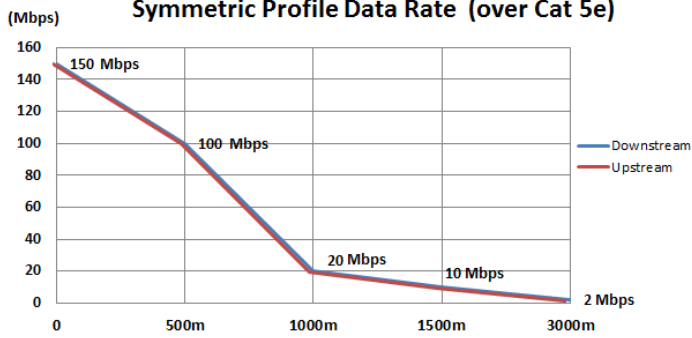
Mechanical Dimensions

(Units in mm)

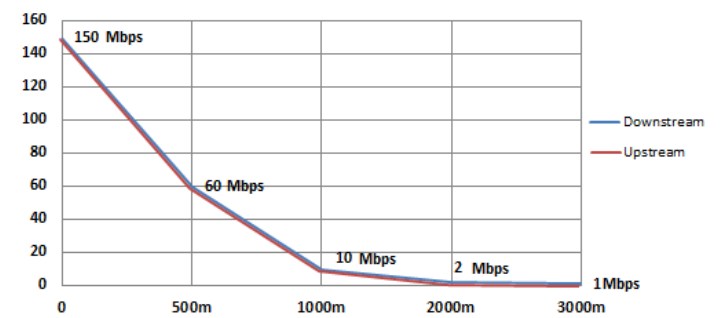


Performance LREoVD2 SFP

Symmetric Profile Data Rate (over Cat 5e)



Symmetric Profile Data Rate (over 26AWG)



Specifications

Hardware	RJ-45/RJ-11 Port (LRE Port)	
	SERDES connect to host	
	LED1 (CO/ CPE indicator)	
	LED 2 (PWR/ Link Status indicator)	
Software	Self Boot & Managed by Internal Flash Linux Driver for managed device	
Power Requirement	3,3 V, 700 mA	
Environment	Operating Temperature	-20 °C ~ +85 °C
	Storage Temperature	-40 °C ~ +85 °C
	Operating Humidity	10% to 90% (non-condensed)
	Storage Humidity	5 % to 95 % (non-condensed)
	ESD Standards	Contact: +/-4 KV Air: +/-8 KV (EN 61000-4-2)
	Radiated RFI Standards	Strength: 10 V/m (EN 61000-4-3)
	EFT/BURST Standards	Power: 2 KV Signal: 1KV (EN 61000-4-4)
Surge Immunity Standards	Power: 2 KV Signal: 1 KV (EN 61000-4-5)	
Certification	RoHS/CE/FCC	
Warranty	2 years	

Ordering information¹

PN	Description
XSUVME-M5RE	LREoVD2 SFP master, RJ-45/RJ-11 connector
XSUVSE-M5RE	LREoVD2 SFP slave, RJ-45/RJ-11 connector

Notes:

¹ For accurate order specification please contact Xenopt reseller before placing an order. The content of this document is subject to change without notice. Xenopt does not guarantee errorless or outdated information.

Please specify any compatibility requirements at time of ordering.

Performance figures, data and any illustrative material provided in this data sheet are typical and must be specifically confirmed in writing by XenOpt before they become applicable to any particular order or contract. In accordance with the XenOpt policy of continuous improvement specifications may change without notice.

The publication of information in this data sheet does not imply freedom from patent or other protective rights of XenOpt or others.

Further details are available from any XenOpt sales representative.

To find out more, please contact: