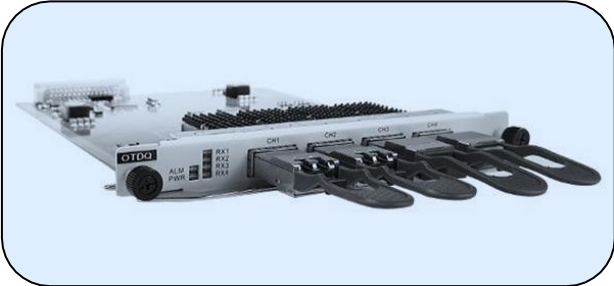




# X86-OTDQ

4 Channels 100G Transponder Card

X86-OTDQ 4 Channels 100G Transponder Card



- Features**
- Four channels of 40G or 100G optical signal relay amplification or
  - Single- and multi-mode conversion of four channels of optical signal
  - 40G or 100G Ethernet
  - 3R function support - Re-amplifying, Re-timing, Re-shaping
  - QSFP+ or QSFP28 support

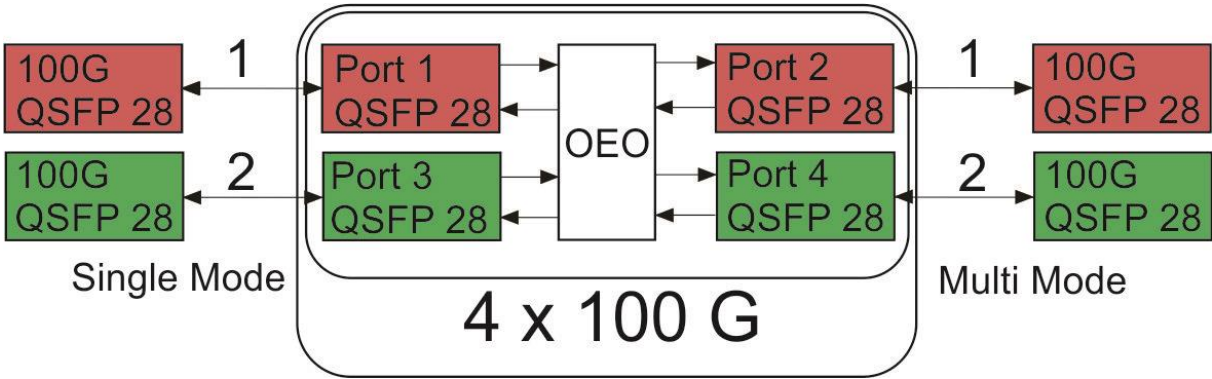
### Applications

- 40 G or 100 G Ethernet
- Operators and private networks

### Description

X86-OTDQ is XenOpt's 4\*40 Gbit/s or 100 Gbit/s signal OEO (Photoelectric Optical Relay) amplifying card that regenerates four roads optical signal. Signal amplification and purification can also perform single-mode and multi-mode optical signal conversion.

### Functional Structure



## Product Specification

Function	Description
Product Model	X86-OTDQ
Basic function	Supports 4 channels of 40G or 100G optical signal relay amplification or single- and multi-mode conversion of 4 channels of optical signals
Access service type	40G or 100G Ethernet
Occupied slot number	1 slot, applicable to the platform of the whole X8600 series
3R technology	Supports 3R function: Re-amplifying, Retiming, Re-shaping
Network management function	<ul style="list-style-type: none"> <li>- Supports real time monitoring of the port working state, including: transmitting optical power and receiving optical power, temperature, etc.</li> <li>- Supports port loopback and port shutdown</li> </ul>
Optical interface	Four pluggable optical port QSFP+ or QSFP28 support
Typical power consumption	20 W
MTBF	> 100000 hours

## Ordering information

PN	Description
X86-OTDQ	4 Channels 100G Transponder card, -5°C~+70°C