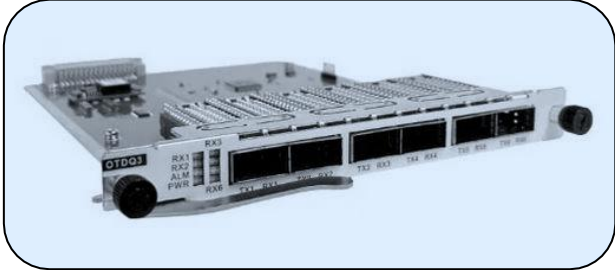




X86-OTDQ3

6 Channels 100G Transponder Card

X86-OTDQ3 6 Channels 100G Transponder Card



Features

- Six channels of 40G or 100G optical signal relay amplification or
- Single- and multi-mode conversion of six channels of optical signal
- 40G or 100G Ethernet
- 3R function support - Re-amplifying, Re-timing, Re-shaping
- QSFP+ or QSFP28 support

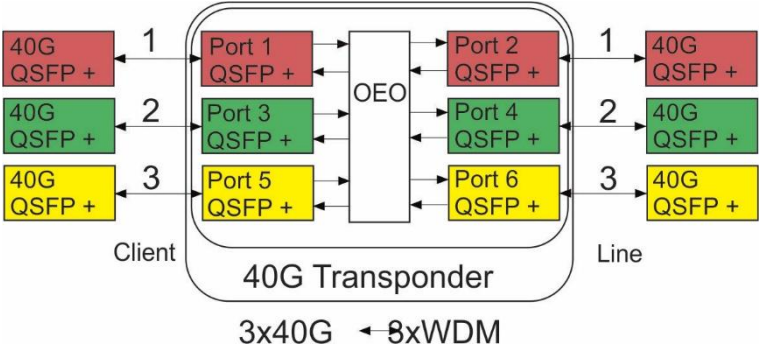
Applications

- 40 G or 100 G Ethernet
- Operators and private networks

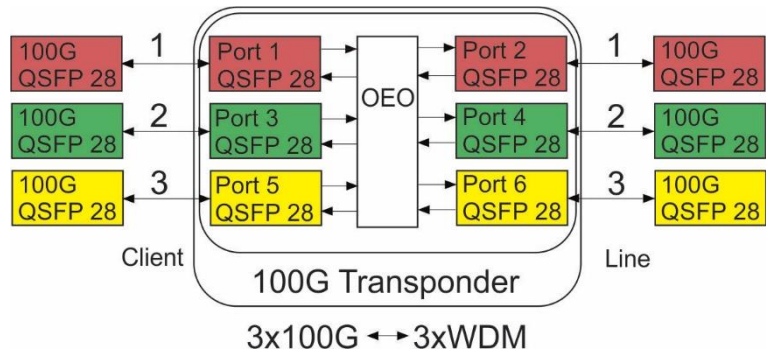
Description

X86-OTDQ3 is XenOpt's transponder module contains 3 pairs of QSFP28 sockets. In ach socket either 40 Gbit/s or 100 Gbit/s pluggable modules can be inserted, that converts and regenerates optical signals to four lanes of electrical signals and passes them electrically to companion module that converts them back to optical signals. Transponder module can be used to convert three channels of 40/100Gb signals from optical signals used for local transmission (i.e. 100Gb SR) to optical signals that are used for long distance communication (i.e. 100Gb ZR or 100Gb DWDM). Transponder module when used with Chassis management module provides standard diagnostics information like optical powers, temperatures and electrical powers for each pluggable module that is inserted in transponder module.

Functional Structure



Functional Structure (cont)



Product Specification

Function	Description
Product Model	X86-OTDQ3
Basic function	Supports 6 channels of 40G or 100G optical signal relay amplification or single- and multi-mode conversion of 6 channels of optical signals
Access service type	40G or 100G Ethernet
Occupied slot number	1 slot, applicable to the platform of the whole X8600 series
3R technology	Supports 3R function: Re-amplifying, Retiming, Re-shaping
Network management function	- Supports real time monitoring of the port working state, including: transmitting optical power and receiving optical power, temperature, etc. - Supports port loopback and port shutdown
Optical interface	Six pluggable optical QSFP+ or QSFP28 modules
Typical power consumption	20 W, depending on pluggable modules used
MTBF	> 100000 hours

Ordering information

PN	Description
X86-OTDQ3	6 Channels 100G Transponder card, -5°C~+70°C

To find out more, please contact: